

# SLUMP

by Tom Dixon, 2020

COLLECTION

SPECIFICATION



WONDERGLASS

# SLUMP

by Tom Dixon

---

WONDERGLASS

Slump celebrates the richness of texture and tactility, combining an ascending cast glass crescent on an anchoring base. The curvature of the table lamp has been specifically moulded to allow light rays to filter evenly along the length of the body, coalesce and concentrate at the tip. This measured illuminated distribution sparks through the object, generating an elegant and cohesive radiance.

## MATERIALS

Cast glass

## DIMENSIONS

D 200 x W 325 x H 485 MM

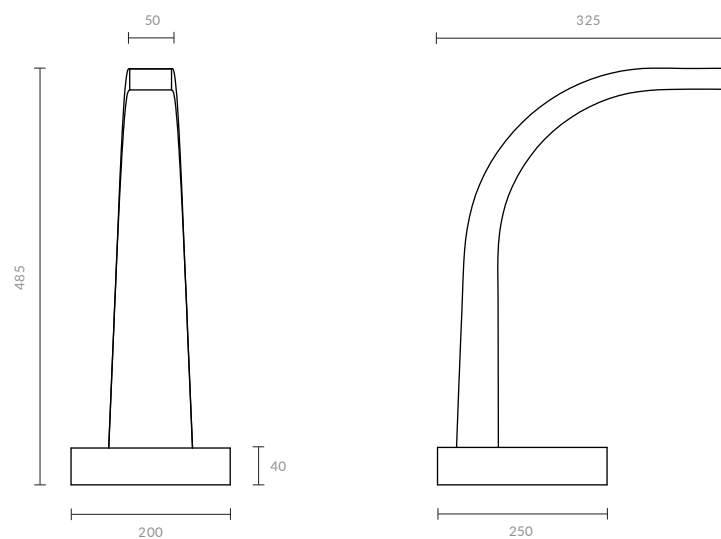
## LIGHT FITTING

LED | 6 W | 200 mA | 50/60 Hz | 24 V | DC

## COLOURS



Crystal



*Bespoke solutions also available*